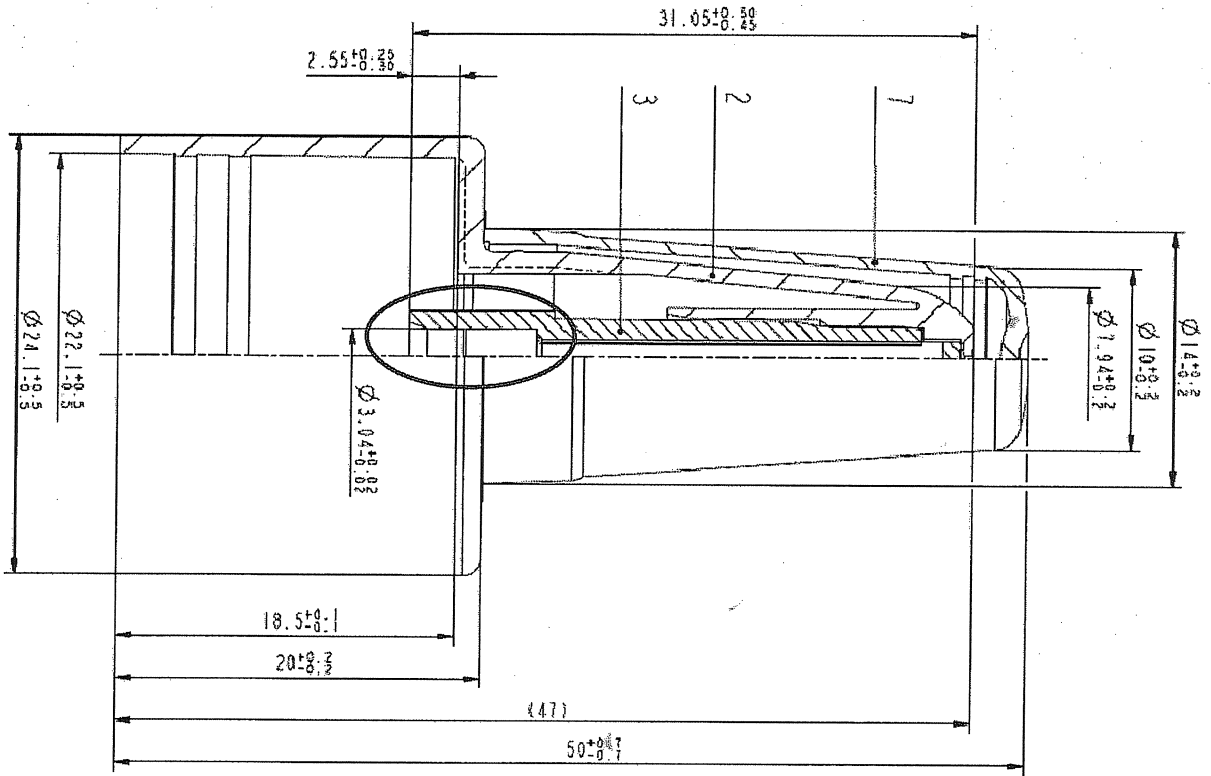


before modification



after modification

